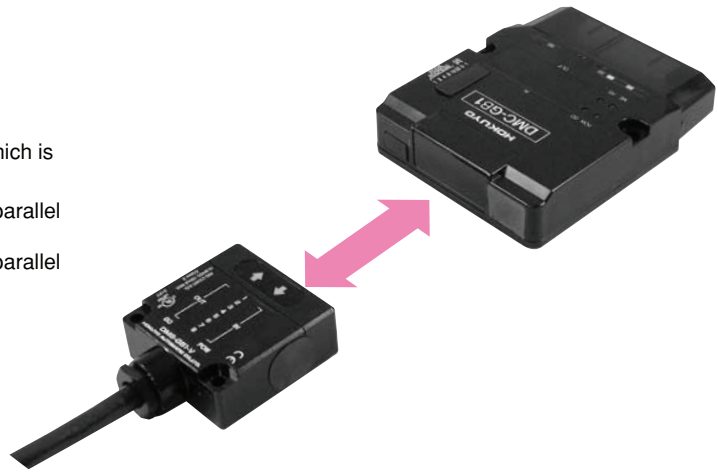


DMC-G/H

Connectable to PLC for DeviceNet

This device is 8bit/16bit optical data transmission device which is able to connect to PLC for DeviceNet.

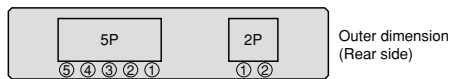
- 8 bits type DMC-GB/HB is able to communicate with parallel type, DMS-GB/HB and DMG-GB/HB.
16 bits type DMC-GC/HC is able to communicate with parallel type, DMH-GC/HC.
- Connector system.
- Max. 63 pcs can be connected to 1 master unit.



Specifications

Type		Parallel type		
Model No.		DMC-GB1	DMC-HB1	DMC-GC1
Power source		24VDC (15%, -10%, Ripple 0.5Vp-p or less)		
Current consumption		PLC: 40mA or less, Equipment: 50mA or less (at 24VDC)		PLC: 50mA or less, Equipment: 100mA or less (at 24VDC)
Transmission capacity		Input 8 points/ output 8 points (Selected by dip switch · GO transmission is available)		Input 16 points/output 16 points
Address setting		Each setting by dip switch		
Optical communication	Direction	Head-on	Side-on	Head-on
	Transmission distance	0.6m		0 to 3m (set by adjuster)
	Directional angle	Total 30°		
	Transmission method	Half duplex two-way transmission		
	Transmission time	40msec		15msec
	Modulation method	Pulse modulation		FSK modulation
DeviceNet	Detection method	Parity check		
	Connection type	Mult-drop type		
	Communication speed	500kbit/ 250kbit/ 125kbit/sec (Changeover by switch)		
	Communication cycle time	12.2ms (Connection Nos. 32 pcs at communication speed, 500kbit/s)		
	Communication media	Exclusive cable 5-wire (Signal 2, power 2, shield 1)		
	Communication distance	Communication speed:	500kbit/sec,	250kbit/sec,
	Max.network length:	100m or less,	250m or less,	500m or less
	Feeder line:	6m or less,	6m or less,	6m or less
	Total feeder line:	39m or less,	78m or less,	156m or less
Max. Nos.of connection node	64 pcs (including master unit, max. connectable slave 63 pcs)			
Connection		Connector: 5 pins for PLC, 2 pins (for other power source)		
Ambient illuminance		4,000lux or less (Both halogen and incandescent lamp)		
Ambient temperature		-10 to +50°C		
Ambient humidity		85%RH or less (not icing, not condensing)		
Vibration resistance		Double amplitude 1.5mm, 10 to 55Hz, each 2 hour in X, Y and Z directions		
Impact resistance		490m/s ² , each 10 time in X, Y and Z directions		
Case material		ABS resin		
weight		Approx. 110g		

Connection



5P side (PLC)

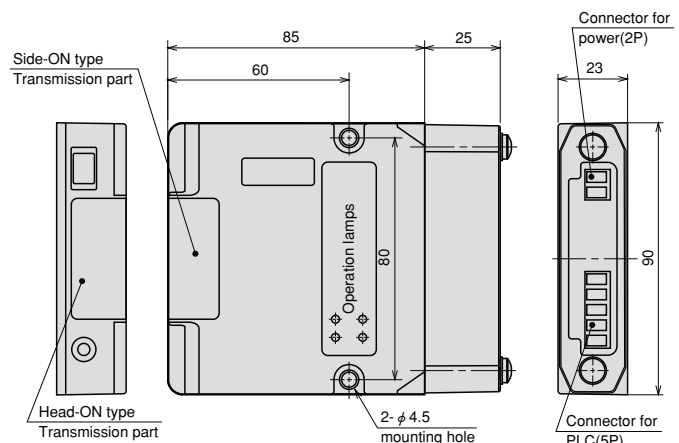
Colors	Signals	Functions	Position
Red	+24V	Power	①
White	Can+	Signal	②
Shield	Shield	—	③
Blue	Can-	Signal	④
Black	+0V	Power	⑤

2P side (Equipment power source)

Colors	Signals	Functions	Position
—	+24V	Power	①
—	+0V	Power	②

Note) Make a wiring not to be affected by noise or surge and also, don't make a wiring with main circuit and high voltage line.

External dimensions

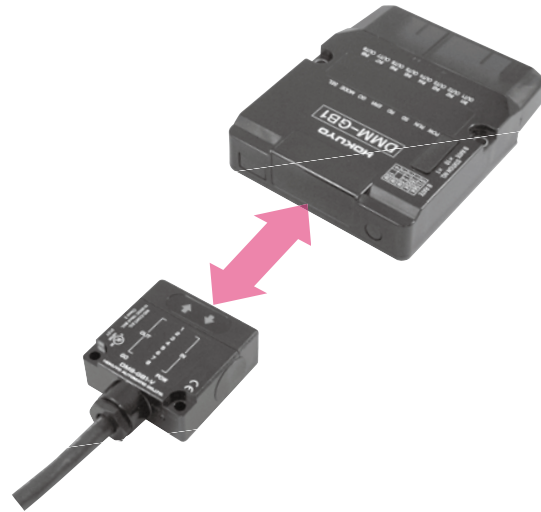


DMM-G/H

Direct connection to CC-Link

This device, 8bit/16bit parallel type is able to connect directly to CC-Link system.

- 8 bits type DMM-GB/HB is able to communicate with parallel type, DMS-GB/HB and DMG-GB/HB.
16 bits type DMM-GC/HC is able to communicate with parallel type, DMH-GC/HC.
- It is possible to connect maximum 64 units to one master unit.



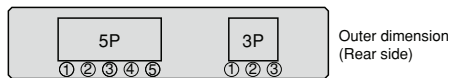
Specifications

Type		Parallel type			
Model No.		DMM-GB1	DMM-HB1	DMM-GC1	DMM-HC1
Direction		Head-on	Side-on	Head-on	Side-on
Power source/Current consumption		24VDC (18 to 30VDC available), 70mA or less (at 24V)			
Optical communication	Transmission distance	0 to 1m (set by adjuster)		0 to 3m (set by adjuster)	
	Directional angle	Total 30°		Total 26°	
	Transmission capacity	8BIT/ 8BIT		16BIT/16BIT or 15BIT/15BIT*1	
	Transmission method	Half duplex two-way transmission			
	Transmission time	Approx. 40msec			
	Modulation method	Pulse modulation		FSK modulation	
	Detection method	Parity check			
CC-Link	Communication speed	10Mbps/ 5Mbps/ 2.5Mbps/ 625kbps/ 156kbps (Changeover by switch)			
	Transmission path	RS-485 bus			
	Remote station No.	1 to 64			
	Occupied station	1 station			
	Connecting cable	CC-Link exclusive cable, CC-Link High-performance exclusive cable			
	Total extension distance*2	Communication speed: 10Mbps, 5Mbps, 2.5Mbps, 625kbps, 156kbps When using exclusive cable: 100m, 150m, 200m, 600m, 1,200m When using exclusive high-performance cable: 100m, 160m, 400m, 900m, 1,200m			
Connection	Connector type (5 pins)				
Ambient illuminance	4,000lux or less (Both halogen and incandescent lamp)				
Ambient temperature	-10 to +50°C				
Ambient humidity	85%RH or less (not icing, not condensing)				
Vibration resistance	Double amplitude 1.5mm, 10 to 55Hz, each 2 hour in X, Y and Z directions				
Impact resistance	490m/s ² , each 10 time in X, Y and Z directions				
Case material	Cover: Polycarbonate, base/cable cover: ABS resin				
Weight	Approx. 110g				

*1. 16th bit can be changed to Select input/GO output by input changeover switch.

*2. Total extended distance changes depending on total remote numbers and min. cable length between remote stations.

Connection



5P side (CC-Link)

Signals	Functions	Position
DA	Signal cable	①
DAR	Terminator provided	②
DB	Signal cable	③
DG	Signal GND cable	④
SLD	Shield	⑤

3P side (Equipment power source)

Signals	Functions	Position
FG	Earth	①
+24V	Power	②
+0V	Power	③

Note) Don't make a wiring with main circuit, high-voltage line or load wire because it is not affected by noise and surge induction.

External dimensions

